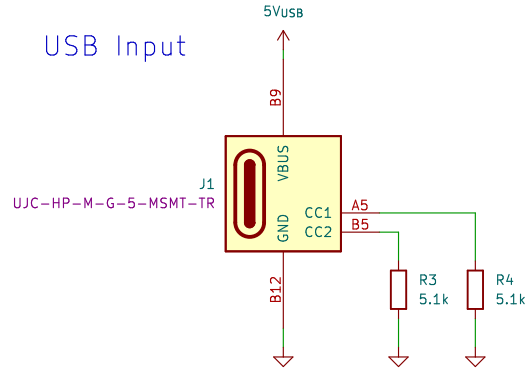
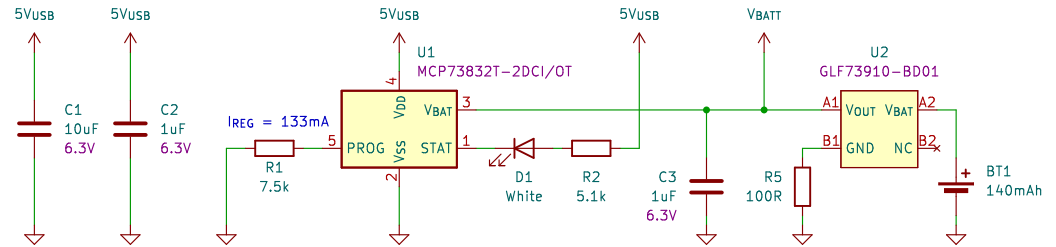


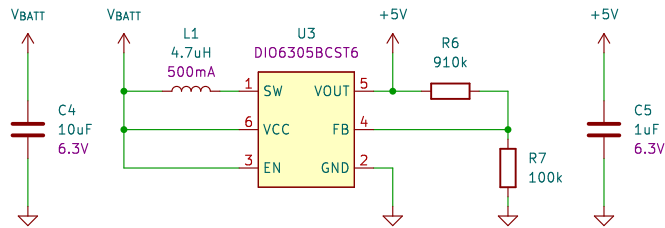
### USB Input



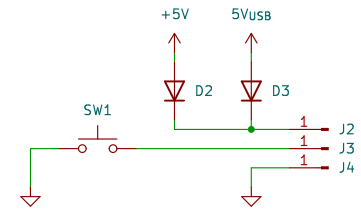
### Charger & Battery



### 5V Boost



### Pairing Button & Pogo Pins



Copyright 2023 © Brilliant Labs Ltd  
Schematic licensed under: CERN-OHL-P v2

Engineer: Raj Nakarja (raj@siliconwitchery.com)  
**Brilliant Labs**

Sheet: /  
File: charging-dock.kicad\_sch

**Title: Frame - Charging Dock**

Size: A4 Date: 2024-02-18  
KiCad E.D.A. kicad 7.0.10

**Rev: 4**  
Id: 1/1