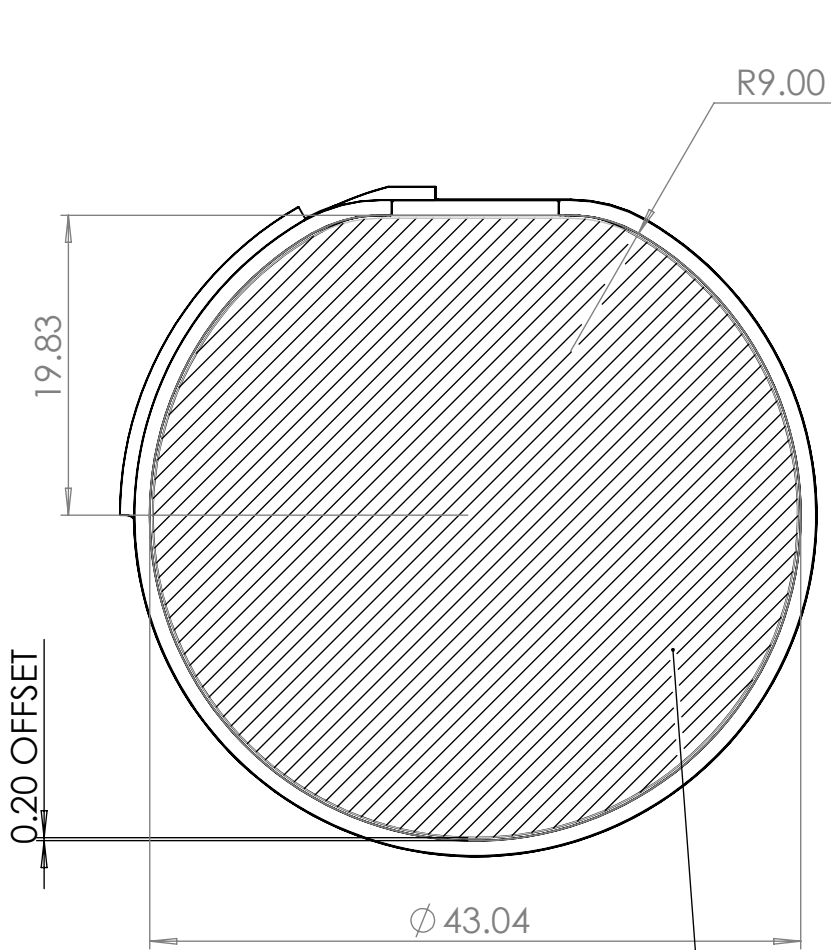
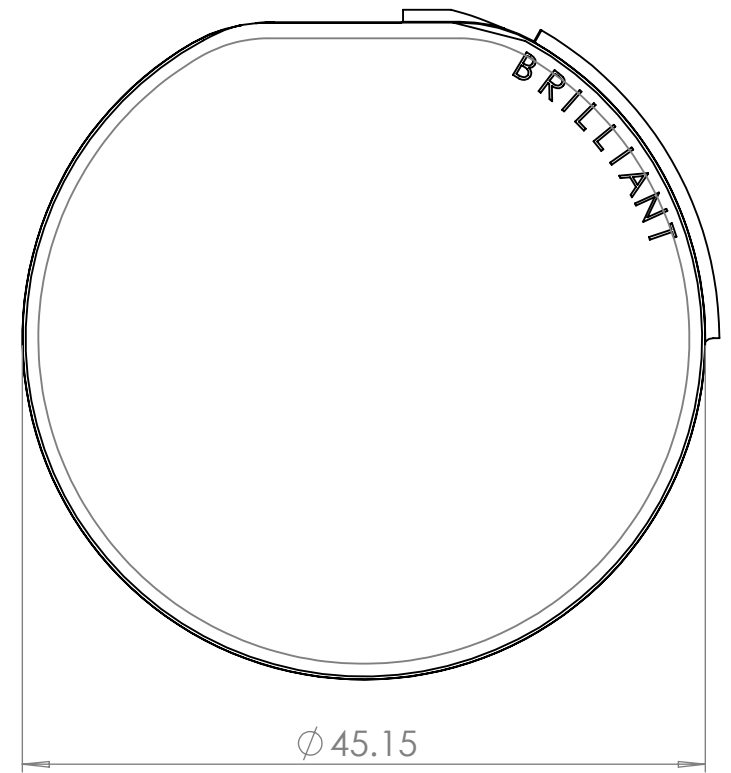
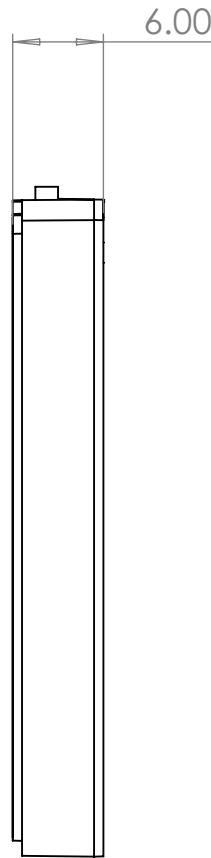


EYE SIDE SURFACE FOR PRESCRIPTION BONDING



EYE SIDE

SURFACE AREA FOR PRESCRIPTION BONDING
OFFSET MECHANICAL DIMENSION BY 0.2MM



WORLD SIDE